

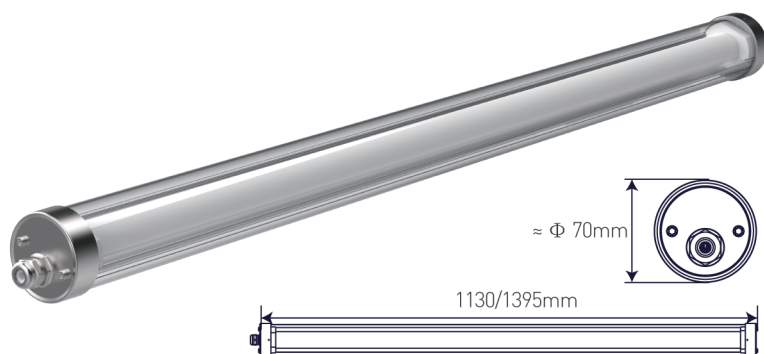
ARC VERSION Tubular–Ti70FP

<https://www.ervan.cn>

Ti70FP is built with transparent housing and inner milky diffuser, it provides comfortable lighting and visual aesthetics, which is a very ideal product for architectural and commercial areas.

Application:

Public facilities: media libraries, theatres, entrance halls, conference rooms or showrooms, businesses, schools, stores and hospitals...



Mechanical Characteristics

Certification	CE / Rohs / Dmark
Ingress protection rating(IP)	IP65
Impact resistance(IK)	IK10
Ambient temperature	-20~40°C
Protective class	Class I
Glow wire	850°C
Profile	Extruded PC/Aluminium
End cap	Stainless steel 304
Cable entry	Nickel-coated brass cable gland
Weight(Net)	1130mm-1.62KG / 1395mm-1.88KG
Installation	Ceiling mounted Suspension Wall Mounted

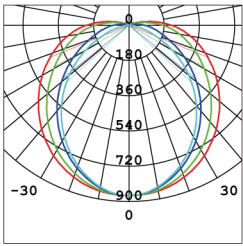
Electrical Characteristics

Wiring	3/5 wires; 3/5 wires through optional				
Power	1200mm	1500mm			
	36W	48W			
Mains voltage	AC220~240V; DC 180-264V 50/60Hz				
Power factor	≥0.9				
THD	<20%				
Flicker factor	<1%				
SVM	<0.4				
Pst	<1				
Function	0-10V,DALI				
Circuit breakers		B10	B16	C10	C16
	36W	20	26	33	53
	48W	11	18	19	31
Linkable qty (230VAC)	20 (36W) / 11 (48W)				

Photometrical Characteristics

CCT	3000 / 4000 / 5000 / 6500K
CRI	Ra>80/Ra>90 optional
Luminous flux	5760LM (36W) / 7680LM (48W)
Luminous efficacy	160lm/w
SDCM	3
Beam angle	125°
Service life	L80/B10 104000h at +25°C
Photobiological safety	RG0

Optics



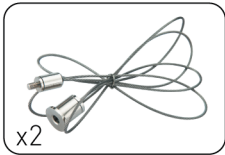
Accessories

Material

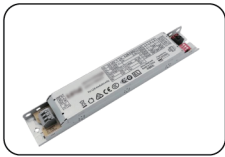
Description



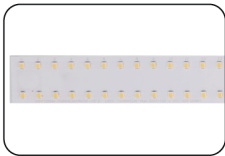
Quick fit bracket, SS304



Suspension kit



LED driver



LED PCB board