

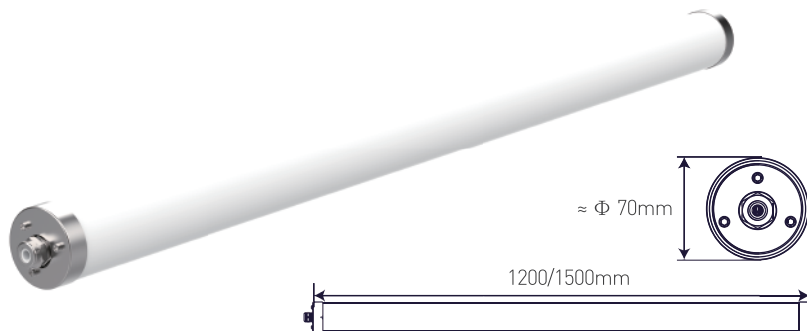
PRO VERSION Tubular-Ti60LP (Food&beverage)

<https://www.ervan.cn>

ERVAN tubular lighting with special Non-dust collecting tubular design and IP69K high level water-proof function meets the stringent food industry hosedown criteria. The IK10 level shatter proof polycarbonate housing and stainless steel end cap makes the most reliable protection which is the ideal solution for food processing.

Application:

Food processing, dairy processing, beverage processing, cold storage, slaughter house, bakery, medicine industry and clean room



Mechanical Characteristics

Certification	CE / Rohs / Dmark
Ingress protection rating(IP)	IP69K
Impact resistance(IK)	IK10
Ambient temperature	-20~40°C
Protective class	Class I
Glow wire	850°C
Profile	Extruded PC/Aluminium
End cap	Stainless steel 316 (304 available on request)
Cable entry	Nickel-coated brass cable gland / Quick-fit connector
Weight(Net)	1200mm-1.62KG /1500mm-1.88KG
Installation	Ceiling mounted Suspension Wall Mounted

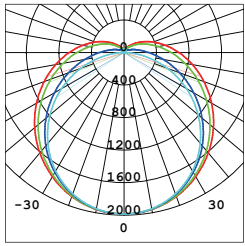
Electrical Characteristics

Wiring	3/5 wires; 3/5 wires through optional				
Power(power adjustable)	1200mm	1500mm			
	36W	48W			
Mains voltage	AC220~240V; DC 180-264V 50/60Hz				
Power factor	≥0.9				
THD	<20%				
Flicker factor	<1%				
SVM	<0.4				
Pst	<1				
Function	0-10V,DALI, Microwave sensor options				
Circuit breakers		B10	B16	C10	C16
	36W	24	38	40	64
	48W	16	26	27	44
Linkable qty		36W		48W	
	230VAC	20		16	

Photometrical Characteristics

CCT	3000 / 4000 / 5000 / 6500K
CRI	80~95
Luminous flux	1200mm 5760LM
	1500mm 7680LM
Luminous efficacy	160lm/w
SDCM	3
Beam angle	120°
Service life	L80/B10 104000h at +25°C
Photobiological safety	RG0

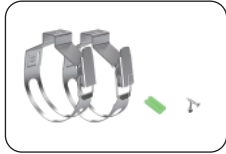
Optics



Accessories

Material

Description



Quick fit bracket, SS316



Anti-theft clamp-1, SS316



Anti-theft clamp-2, SS316



Anti-vibration bracket, SS316



Suspension kit