

LED Flood Light

BRIGHTEN YOUR LIFE

EFL12



EFL12

LED Flood Light

Mc series



Rated voltage 220-240V Frequency 50-60Hz

+40°C
-30°C

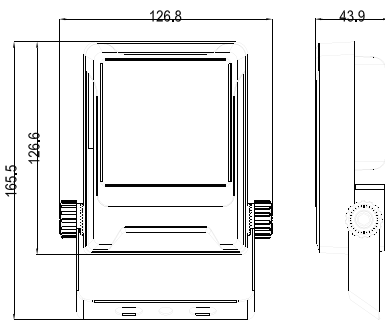
1.Features

- Replace conventional Flood Lights
- Die-casting Aluminum Housing
- Fade Resistant Powder Coat Finish
- Easy Installation
- Narrow beam angle available.
- CE ROHS listed

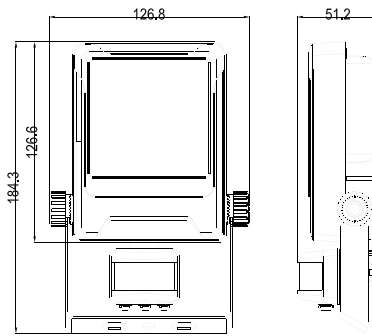
2.Application

- Stadiums Lighting
- Building Exterior Lighting.
- Amusement Park Lighting.
- Airport Lighting.
- Bridge Lighting.
- Tunnel Lighting.

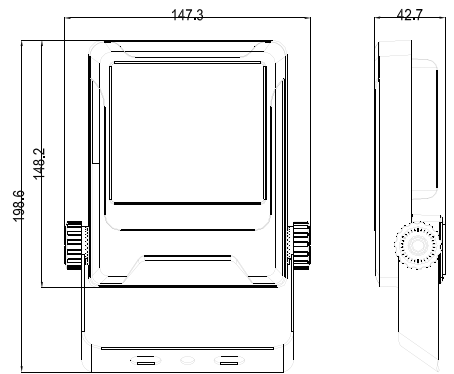
3.Product Dimensions



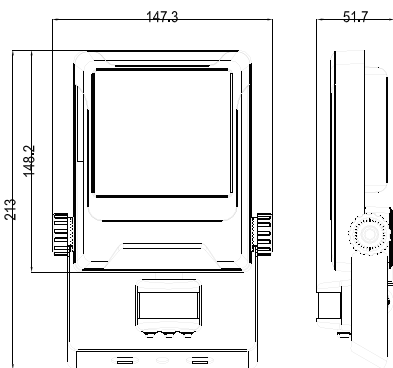
EFL12-10-FG
165.5*126.8*43.9 mm



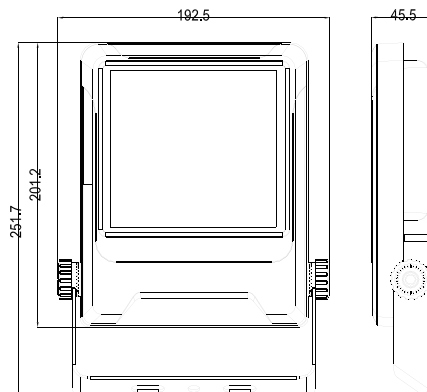
EFL12-10-FG-M(PIR)
184.3*126.8*51.2 mm



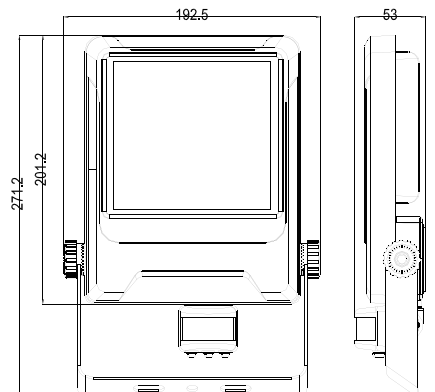
EFL12-20-FG
198.6*147.3*42.7 mm



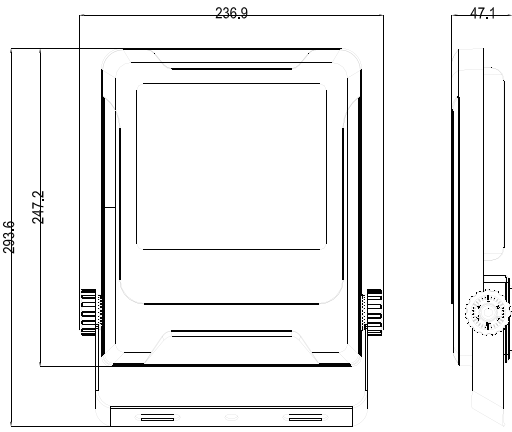
EFL12-20-FG-M(PIR)
213*147.3*51.7 mm



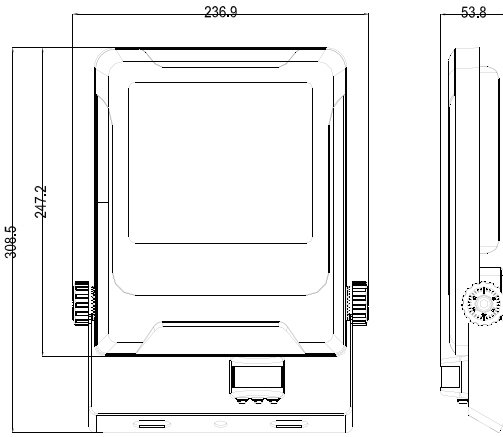
EFL12-30-FG/ EFL12-30-TG
251.7*192.5*45.5 mm



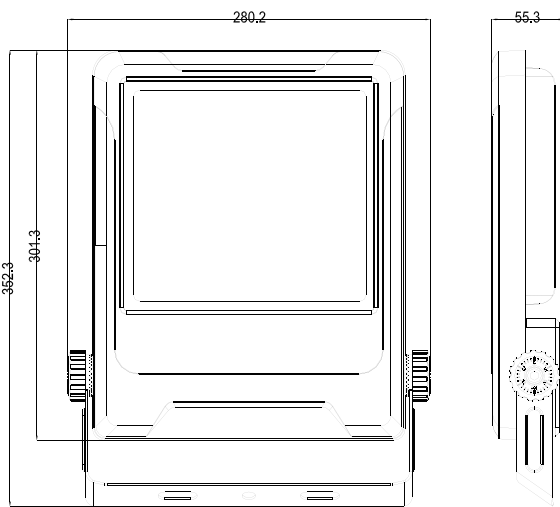
EFL12-30-FG-M(PIR)
271.2*192.5*45.5 mm



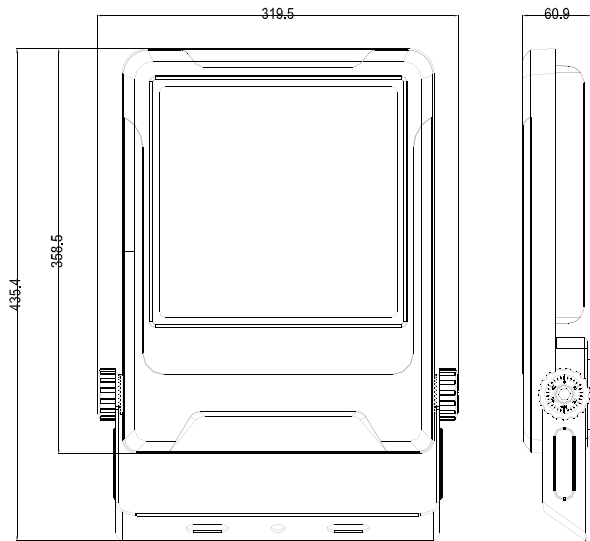
EFL12-50-FG/ EFL12-50-TG
293.6*236.9*47.1 mm



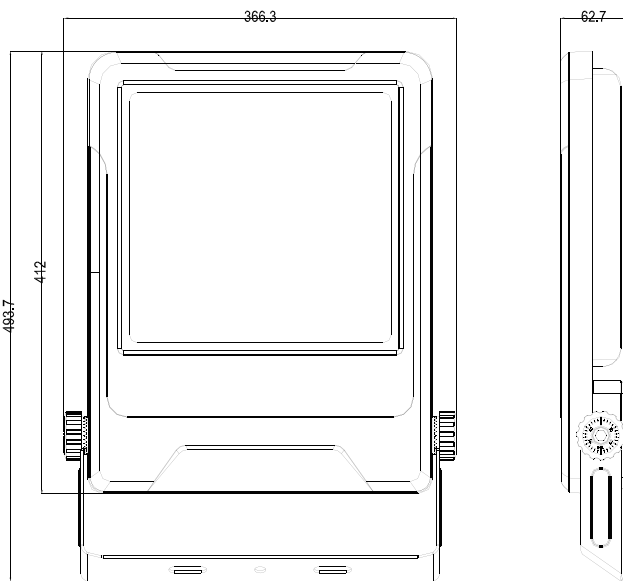
EFL12-50-FG-M(PIR)
308.5*236.9*53.8 mm



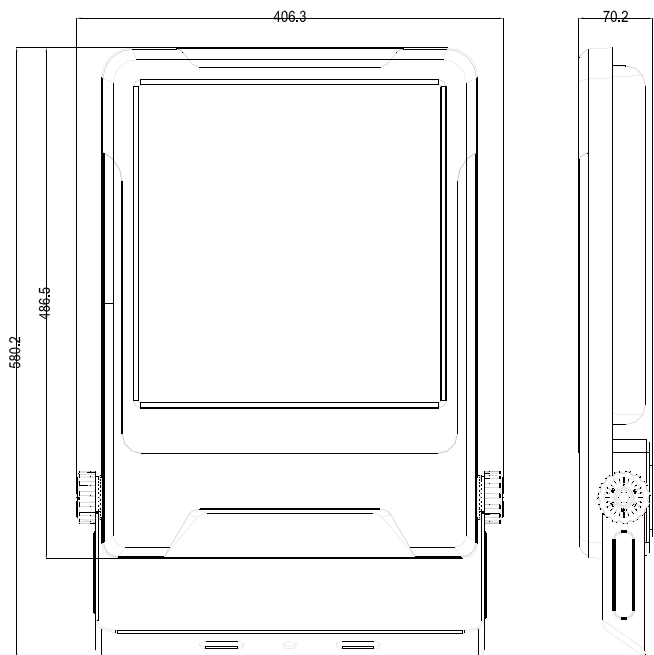
EFL12-100-FG/ EFL12-100-TG
352.3*280.2*55.3 mm



EFL12-150-FG/ EFL12-150-TG
435.4*319.5*60.9 mm



EFL12-200-FG/ EFL12-200-TG
493.7*366.3*62.7 mm



EFL12-250-FG/ EFL12-250-TG
EFL12-300-FG/ EFL12-300-TG
580.2*406.3*70.2 mm

4. Parameter

Model NO.	Power (W)	Beam Angle	Light Efficiency LM/W
EFL12-10-FG-M(PIR)	10	120°	100
EFL12-20-FG-M(PIR)	20	120°	110
EFL12-30-FG-M(PIR)	30	120°	130
EFL12-50-FG-M(PIR)	50	120°	140
EFL12-10-FG	10	120°	100
EFL12-20-FG	20	120°	110
EFL12-30-FG	30	120°	130
EFL12-30-TG	30	all listed	120
EFL12-50-FG	50	120°	140
EFL12-50-TG	50	all listed	130
EFL12-100-FG	100	120°	150
EFL12-100-TG	100	all listed	140
EFL12-150-FG	150	120°	150
EFL12-150-TG	150	all listed	140
EFL12-200-FG	200	120°	150
EFL12-200-TG	200	all listed	140
EFL12-250-FG	250	120°	150
EFL12-250-TG	250	all listed	140
EFL12-300-FG	300	120°	150
EFL12-300-TG	300	all listed	140

Above lumens based on 4000K Ra : 80

AC Input : 220-240 V 50/60Hz

Light Source : 2835/3030

CRI Range : 80

CCT Range : WW(3000K) NW(4000K) DW(5000K) CW(6500K)

Light Efficiency : 100LM/W, 110LM/W, 120Lm/W,130Lm/W, 140Lm/W,150Lm/W

Beam Angle :

EFL12-XX-FG-XX: 120°

EFL12-XX-TG-XX: 15°/30°/45°/60°/90°/30°*90° /70°*155°/80°*155° (with LENS)

Waterproof : IP65/IK07

Recommended Installation Height : 3-20M

PF:≥0.90 THD<15% Power Efficiency:≥0.9

Temperature : (Storage : -20~+65°C) (Operating : -30~+40°C)



PIR sensor



Dimmable



PIR SENSOR



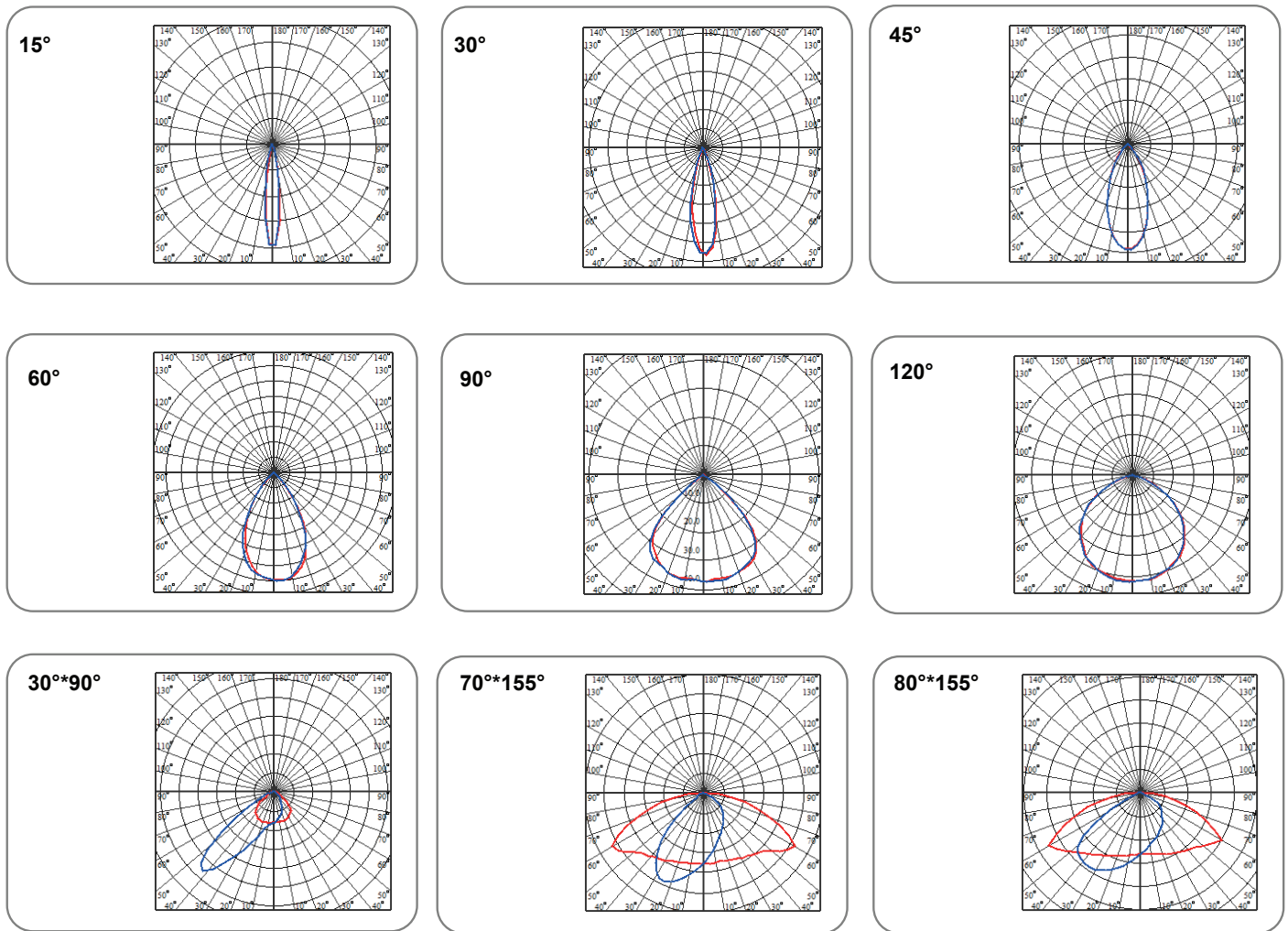
Visualization installation angle



Label positioning

Special bracket design, can be fixed directly without removing the bracket

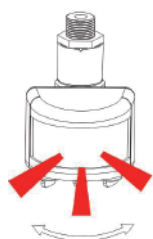
5. Light distribution



6. PIR Sensor Description

Power Source: 220 -240V/AC
 Power Frequency: 50Hz
 Ambient Light: 10-2000LUX (adjustable)
 Time-Delay: min: 10sec±3sec
 max: 7min±2min
 Rated Load: 100W (incandescent lamp)
 100W(energy-saving lamp)
 Detection Motion Speed: 0.6~1.5m/s
 Detection Distance: 2-16m (<24 °C) (adjustable)


Detection Range: 180°
 Working Temperature: -20~+40 °C
 Working Humidity: <93%RH
 Installation Height: 1.8m~2.5m
 Power Consumption: <0.9W (work)
 <0.9W (static)





Good sensitivity



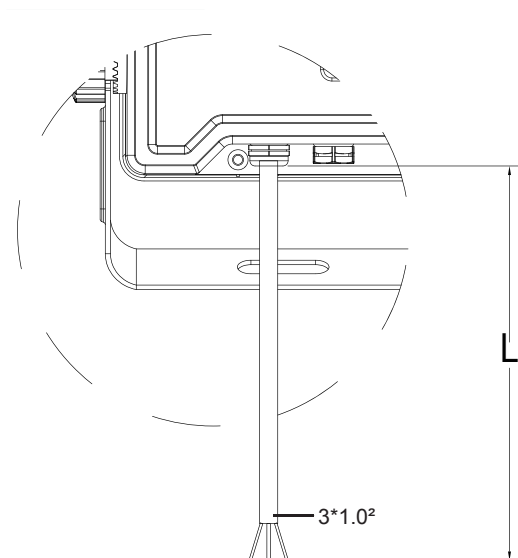
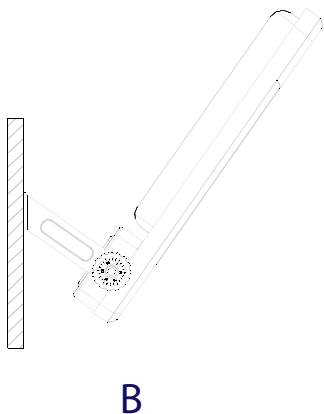
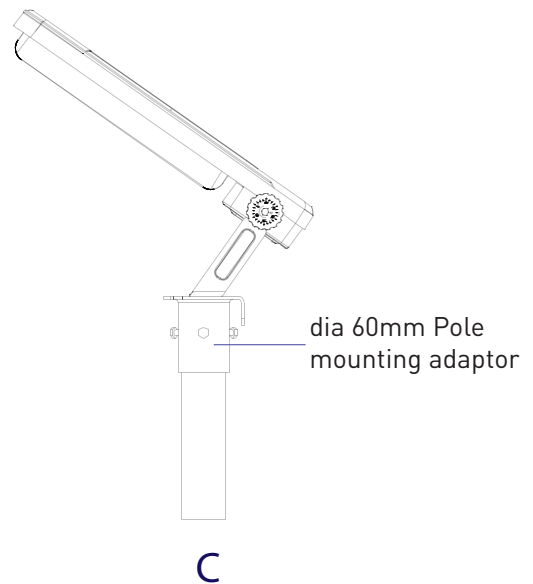
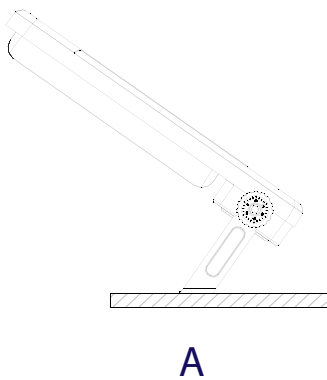
Poor sensitivity

 Can identify day and night: The consumer can adjust work ambient light. It can work in the daytime and at night when it is adjusted on the “+” position (max). It can work in the ambient light less than 10LUX when it is adjusted on the “moon” position (min). As for the adjustment pattern, please refer to the testing pattern.

 SENS adjustable: It can be adjusted according to using location; low sensitivity with 5m for detection distance; high sensitivity with 10m, it fits for large room.

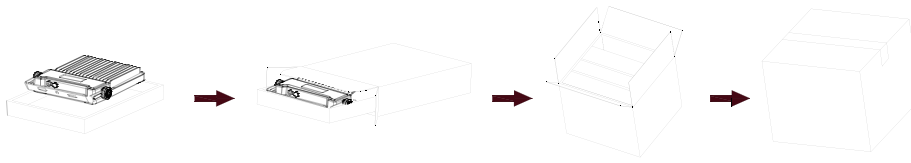
 Time-delay is added continually: When it receives the second induction signals after the first induction, it will compute time once more on the rest of the first time-delay basic (set time).
 Time-delay adjustment: It can be set according to the consumer’s desire.
 The minimum time is 10sec±3sec. The maximum is 7min±2min.

7. Installation :



10W/20W/30W/50W: 30-35CM(L)
 100W/150W/200W/250W/300W: 40-45CM(L)

8. Package



Model (Normal)	Outer Carton	N.W	G.W	CTNS
EFL12-10-XX	585*285*370mm	19.6KG	23.0KG	40PCS/CTNS
EFL12-20-XX	495*295*480mm	20.4KG	24.0KG	30PCS/CTNS
EFL12-30-XX	605*325*290mm	17.1KG	20.0KG	15PCS/CTNS
EFL12-50-XX	535*315*340mm	17.5KG	20.0KG	10PCS/CTNS
EFL12-100-XX	395*345*420mm	15KG	17.0KG	5PCS/CTNS
EFL12-150-XX	425*395*510mm	20.6KG	23.0KG	5PCS/CTNS
EFL12-200-XX	425*325*570mm	24.3KG	25.5KG	4PCS/CTNS
EFL12-250-XX	462*275*630mm	24.1KG	25.4KG	3PCS/CTNS
EFL12-300-XX	462*275*630mm	24.3KG	25.7KG	3PCS/CTNS

Model (PIR)	Outer Carton	N.W	G.W	CTNS
EFL12-10-XX-PIR	585*285*424mm	19.8KG	23.4KG	40PCS/CTNS
EFL12-20-XX-PIR	495*295*520mm	20.8KG	24.4KG	30PCS/CTNS
EFL12-30-XX-PIR	605*325*310mm	17.5KG	20.4KG	15PCS/CTNS
EFL12-50-XX-PIR	535*315*360mm	17.9KG	20.7KG	10PCS/CTNS

9. Attention

This specification is for reference only, we reserve the right to change without notice. If you need the updated info, please contact local distributors or visit our website at <http://www.ervan.cn>

ERVAN reserves the right of final explanation.