

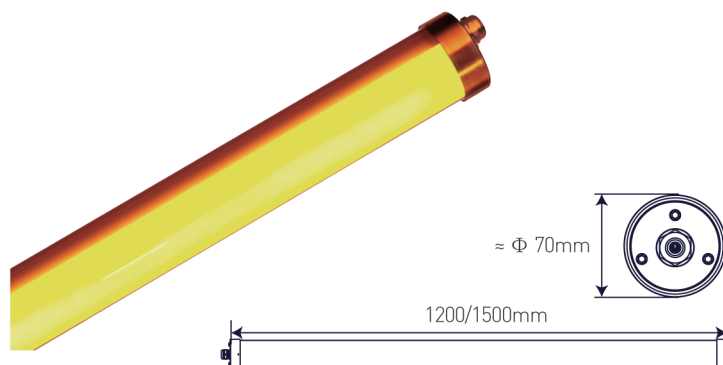
# PRO VERSION Tubular--Ti60LP(Cellar)

<https://www.ervan.cn>

For wine and champagne cellar, people always looking for lighting solutions that are efficient, economical and compatible with the constraints of preservation. ERVAN wine cellar tubular lighting Ti60LP is right the solution for such application. IP69K water proof function suitable for high ambient humidity and dusty environments, special wavelength amber color could protect wine and champagne against riboflavin effects from photosensitivity, avoid the risk of "taste of light".

Application:

Wine and champagne cellar



## Mechanical Characteristics

Certification	CE / Rohs / Dmark
Ingress protection rating(IP)	IP69K
Impact resistance(IK)	IK10
Ambient temperature	-20~40°C
Protective class	Class I
Glow wire	850°C
Profile	Extruded PC/Sheet metal board
End cap	Stainless steel 316 (304 available on request)
Cable entry	Nickel-coated brass cable gland / Quick-fit connector
Weight(Net)	1200mm-1.62KG /1500mm-1.88KG
Installation	Ceiling mounted   Suspension   Wall Mounted

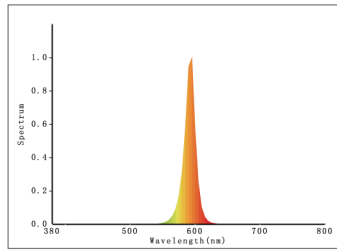
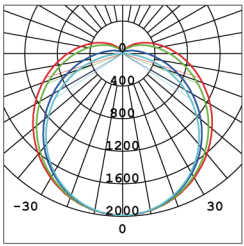
## Electrical Characteristics

Wiring	3/5 wires; 3/5 wires through optional				
Power(power adjustable)	1200mm	1500mm			
	36W	48W			
Mains voltage	AC220~240V; DC 180-264V 50/60Hz				
Power factor	≥0.9				
THD	<20%				
Flicker factor	<1%				
SVM	<0.4				
Pst	<1				
Function	0-10V,DALI, Microwave sensor options				
Circuit breakers		B10	B16	C10	C16
	36W	24	38	40	64
	48W	16	26	27	44
Linkable qty		36W		48W	
	230VAC	20		16	

## Photometrical Characteristics

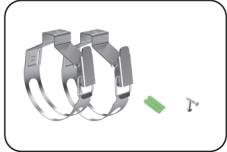
Wavelength	595nm
Luminous flux	1200mm 1440LM
	1500mm 1920LM
Luminous efficacy	40lm/W
Beam angle	120°
Service life	L80/B10 104000h at +25°C
Photobiological safety	RG0

## Optics



## Accessories

### Material



Quick fit bracket, SS316



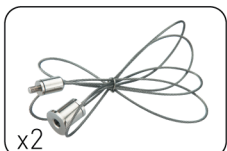
Anti-theft clamp-1, SS316



Anti-theft clamp-2, SS316



Anti-vibration bracket, SS316



Suspension kit