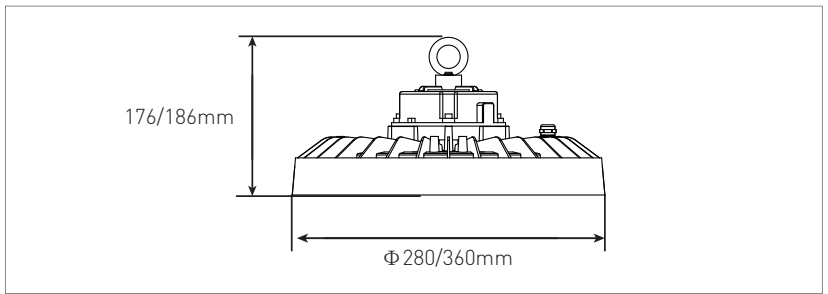


LOW GLARE HIGH BAY

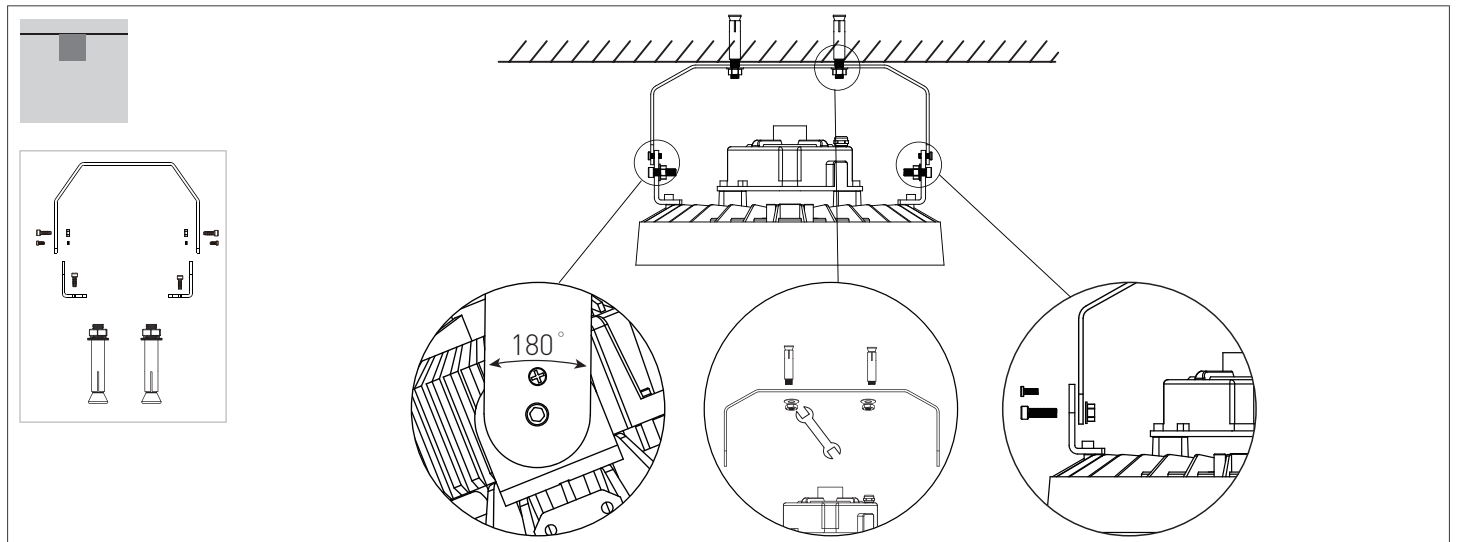
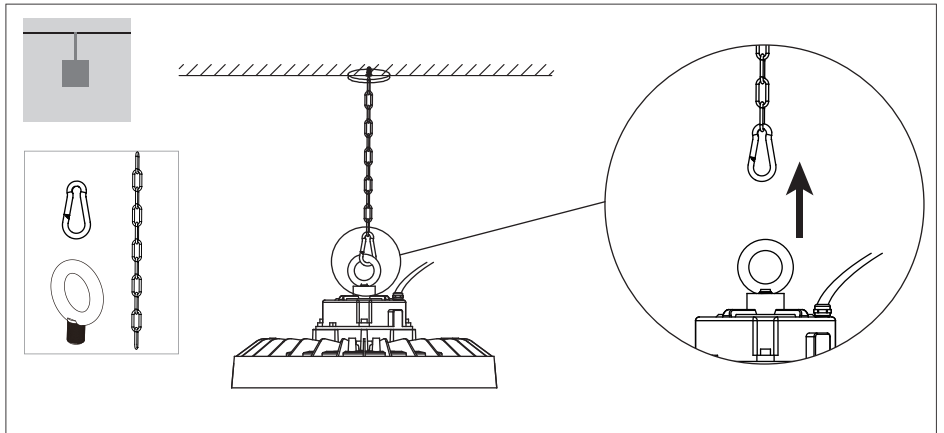


13

IP65 IK08

General Safety Information

- Installation, commissioning and maintenance only by qualified electrician.
- Never perform any work on the luminaire with voltage applied. Danger to life due to electric shock!
- Electric connection must be appropriate according to all applicable standards and other national and international safety and accident prevention regulations.
- Damaged luminaires must not be operated.
- Observe and retain safety instructions and mounting instructions
- No liability is accepted for damages resulting from improper use.
- Use genuine parts only for repair.



Power adjustable(optional)

Note: for Φ280mm Max 150w

| Φ360mm | Φ280mm |
|---------------------------|---------------------------|
| 1 2 200W ON 120W | 1 2 200W ON 120W |
| 1 2 150W ON 100W | 1 2 150W ON 100W |

AC cable

| | |
|--|---|
| | Black "L" White "N" Green "E" |
| | Brown "L" Blue "N" Green+Yellow "E" |

AC cable

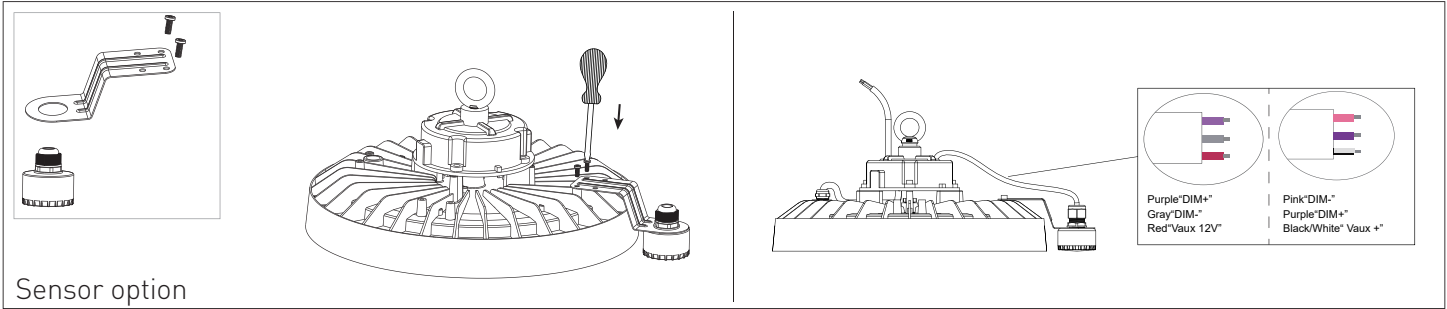
| | |
|--|---|
| | Black "L" White "N" Green "E" |
| | Brown "L" Blue "N" Green+Yellow "E" |

DALI Dimmable

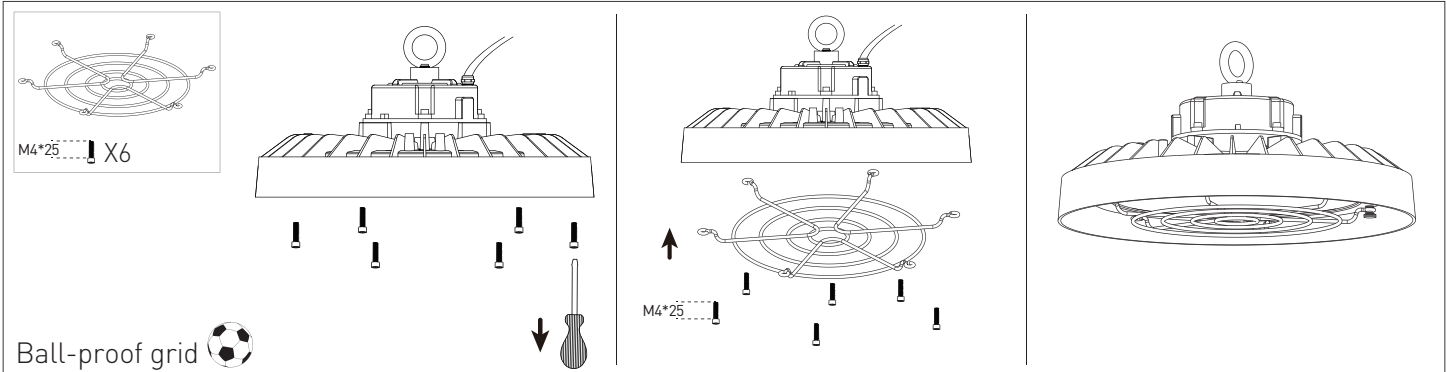
| | |
|--|---|
| | Purple "DA" Pink "DA" Black/White "Vaux +" blue/White "Vaux -" |
|--|---|

0/1-10V Dimmable

| | |
|--|---|
| | Purple "DIM+" Pink "DIM-" Black/White "Vaux +" blue/White "Vaux -" |
| | Purple "DIM+" Pink "DIM-"/Vaux -" Black/White "Vaux +" Blue "N" |
| | Purple "DIM+" Pink "DIM-" Blue "N" |

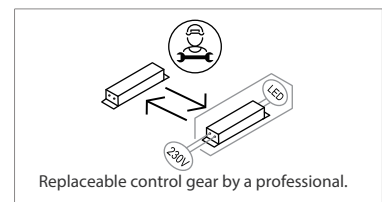
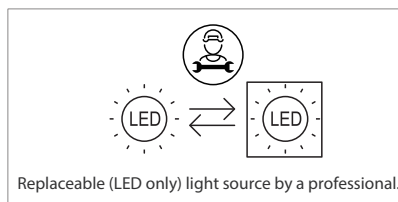


Sensor option



Ball-proof grid

| CCT | EET |
|-------------------------------|-----|
| [≤100W(4000K /5000K/6500K)] | C |
| [>100W / ≤100W(3000K)] | D |



This product contains a light source of energy efficiency class <C>. [≤100W(4000K 、 5000K 、 6500K)]
 This product contains a light source of energy efficiency class <D>. [>100W / ≤100W(3000K)]



Replacement steps :

- A: Use a tool to remove the screw and remove the lamp cover ;
- B: Remove the cables and screws connecting the PCB board or screws on the power supply.
- C: Replace the PCB board or driver with new one.

