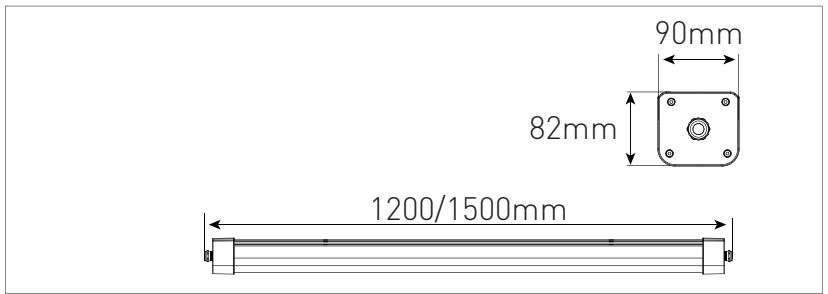
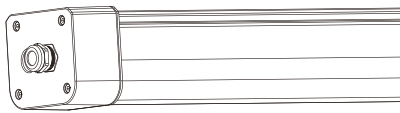
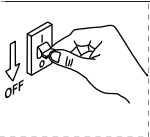


LED Tri-proof Luminaire Manual

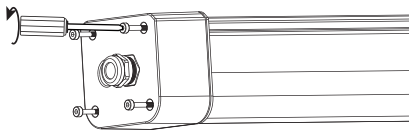


General Safety Information

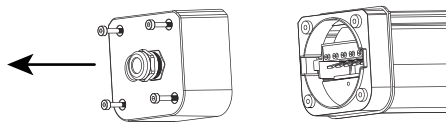
- Installation, commissioning and maintenance only by qualified electrician.
- Never perform any work on the luminaire with voltage applied. Danger to life due to electric shock!
- Electric connection must be appropriate according to all applicable standards and other national and international safety and accident prevention regulations.
- Damaged luminaires must not be operated.
- Observe and retain safety instructions and mounting instructions
- No liability is accepted for damages resulting from improper use.
- Use genuine parts only for repair.



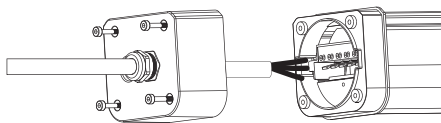
①



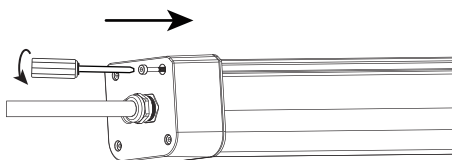
②



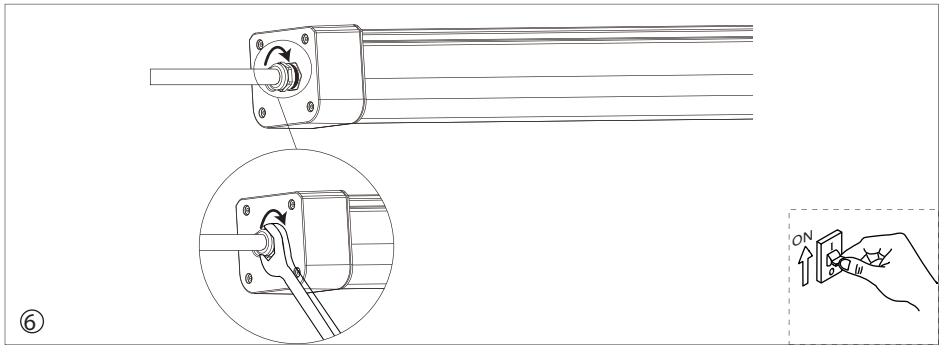
③



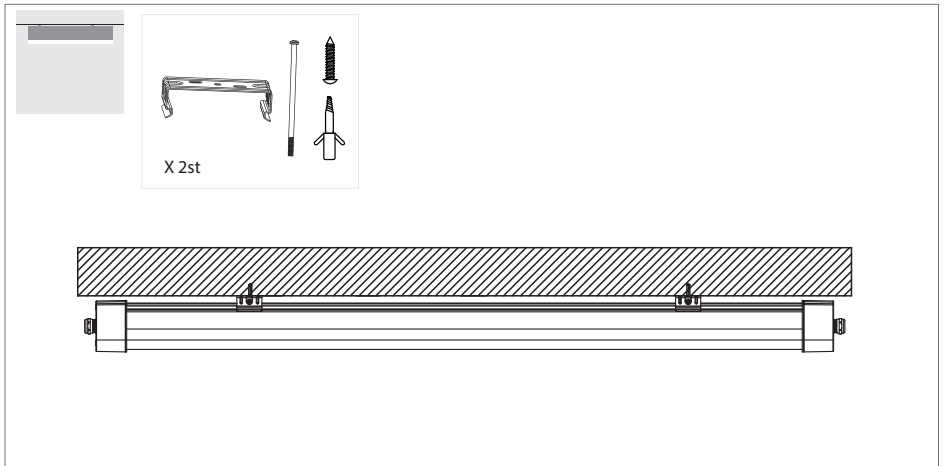
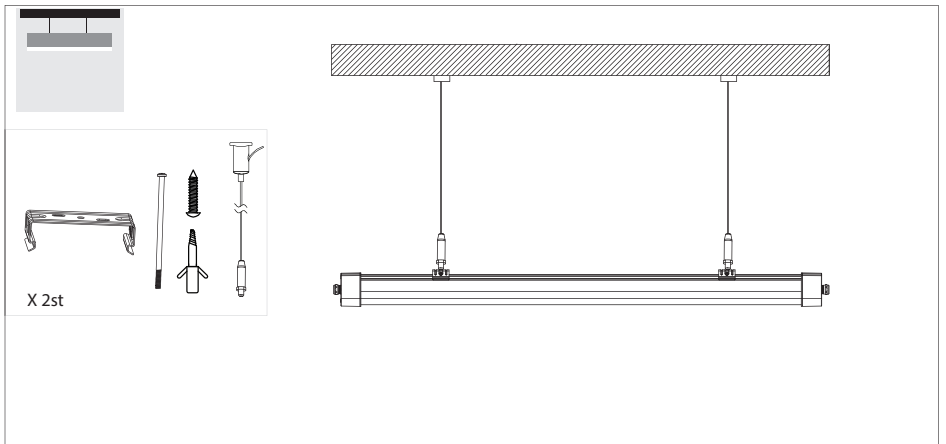
④



⑤



⑥



3 wires

L		L
E		E
N		N

5 wires

L2		L2
L1		L1
E		E
N		N
L3		L3

5 wires

L2		L2
L1		L1
E		E
N		N
L3		L3

mm

mm²

1-2.5 12

DALI

DA		DA
DA		DA
E		E
N		N
L		L

Dimmable

Dim+		Dim+
Dim-		Dim-
E		E
N		N
L		L

Emergency

N		N
E		E
L		L
L'		L'

Test button and indicator for Emergency

L for emergency permanent live wire
L' for switch live wire

Linkable qty

INPUT	NX	NX	NX	NX
230vac	37(28W)	22(34W)	19(40W)	17(45W)
230vac	20(37W)	17(45W)	14(53W)	12(63W)

Circuit breakers

	B10	B16	C10	C16
45W	20	32	33	53
63W	20	32	23	38

CCT	EET
4000/5000K	B
3000/6500K	C

Replaceable (LED only) light source by a professional.

Replaceable control gear by a professional.

This product contains a light source of energy efficiency class . (4000K/5000K)
 This product contains a light source of energy efficiency class <C>. (3000K/6500K)

Replace method :

1. Open the end cover, unscrew the screws and take out the module.
2. Remove the cables and plastic clips connecting the PCB board or screws on the power supply.
3. Replace the PCB board or driver with new one.

