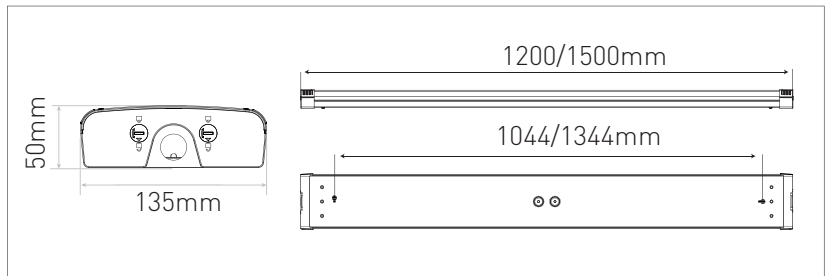
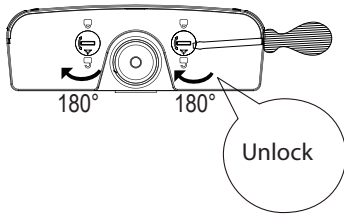
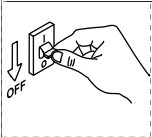


LED uniform line Luminaire Manual

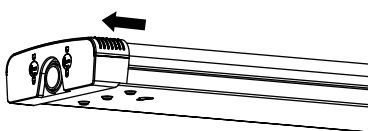


General Safety Information

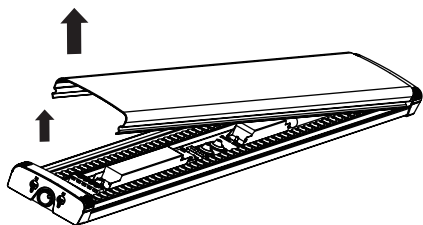
- Installation, commissioning and maintenance only by qualified electrician.
- Never perform any work on the luminaire with voltage applied. Danger to life due to electric shock!
- Electric connection must be appropriate according to all applicable standards and other national and international safety and accident prevention regulations.
- Damaged luminaires must not be operated.
- Observe and retain safety instructions and mounting instructions
- No liability is accepted for damages resulting from improper use.
- Use genuine parts only for repair.



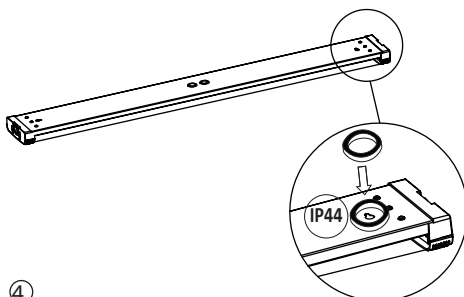
①



②

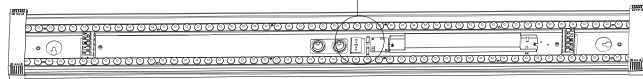
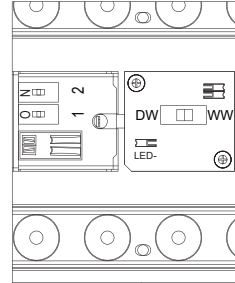


③

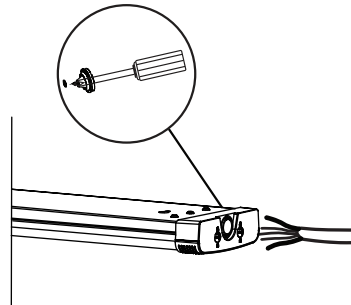


④

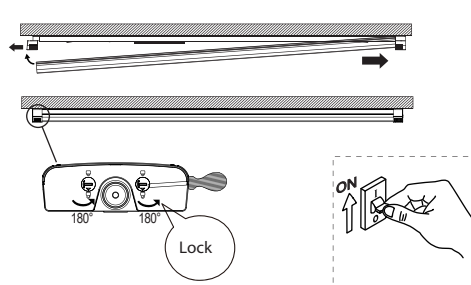
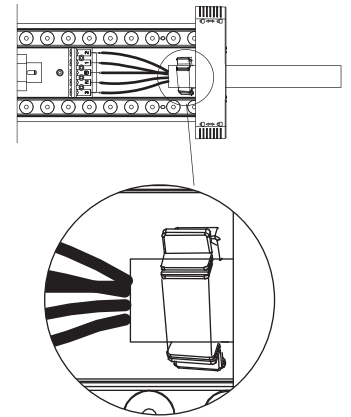
CCT&Power adjustable



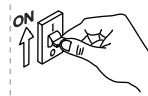
⑤



⑥



Lock



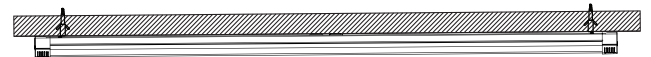
IP40

IP44

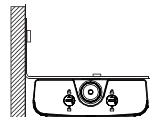
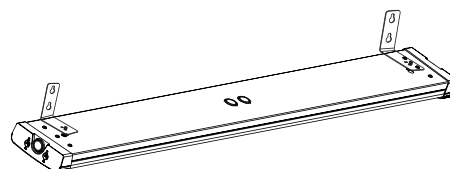
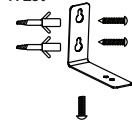
IP40

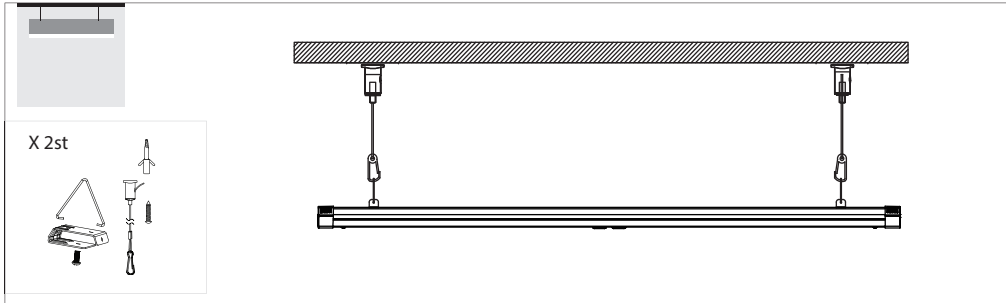
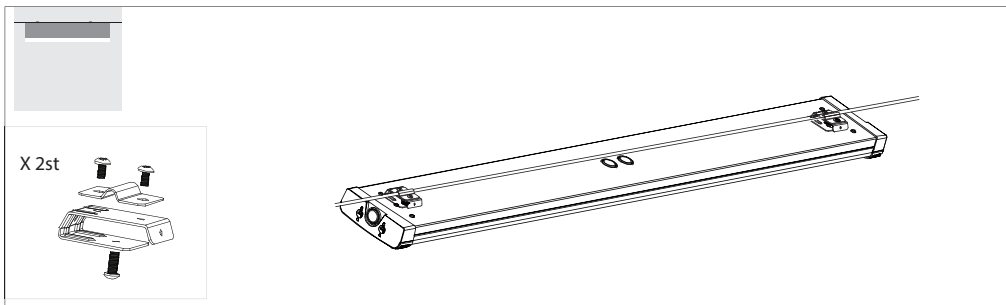


X 2st



X 2st





mm
mm ²
1-2.5 12

Dimmable

Dim+
Dim-
E
N
L

DALI

DA
DA
E
N
L

3 wires

L
E
N

5 wires

L2
L1
E
N
L3

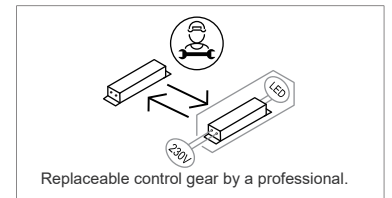
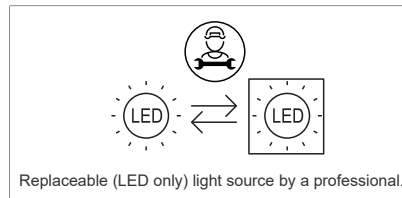
Circuit breakers

	B10	B16	C10	C16
39W	17	27	24	39
52W	12	19	17	28

Linkable qty

Input Voltage	SIZE	NX	NX	NX	NX
230VAC	600mm	109(11W)	92(13W)	75(16W)	60(20W)
230VAC	1200mm	52(23W)	41(29W)	34(35W)	30(40W)
230VAC	1500mm	46(26W)	36(33W)	30(40W)	26(47W)

EET
D



This product contains a light source of energy efficiency class <D>.



Replacement steps :

- A: Loosen the end cap and remove the diffuser;
- B: Screw out the fixing screws on PCB board and LED driver;
- C: Replace the LED module and driver with new one;
- D: Put back the diffuser and lock the end cap.

