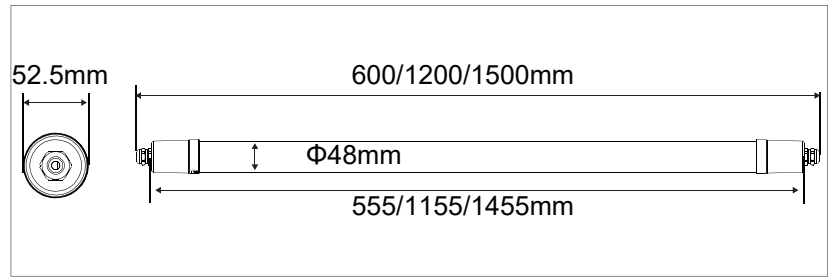
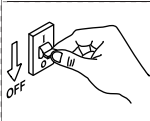


LED Weatherproof Luminaire Manual

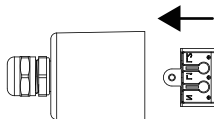


General Safety Information

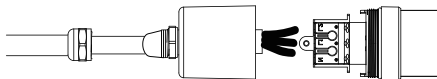
- Installation, commissioning and maintenance only by qualified electrician.
- Never perform any work on the luminaire with voltage applied. Danger to life due to electric shock!
- Electric connection must be appropriate according to all applicable standards and other national and international safety and accident prevention regulations.
- Damaged luminaires must not be operated.
- Observe and retain safety instructions and mounting instructions
- No liability is accepted for damages resulting from improper use.
- Use genuine parts only for repair.



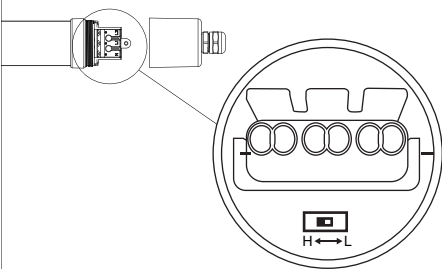
①



②

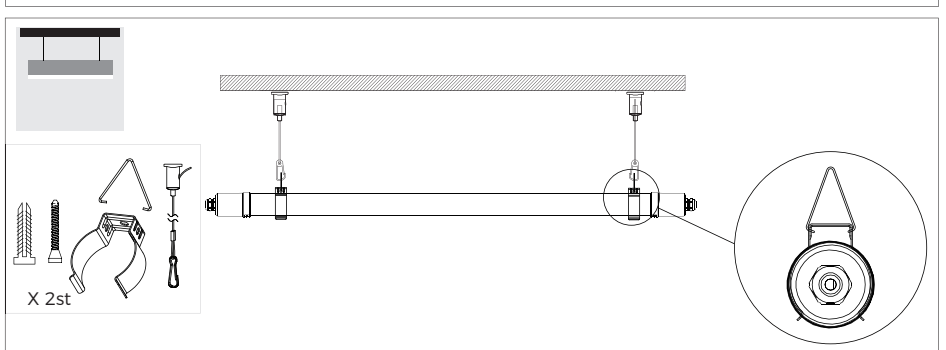
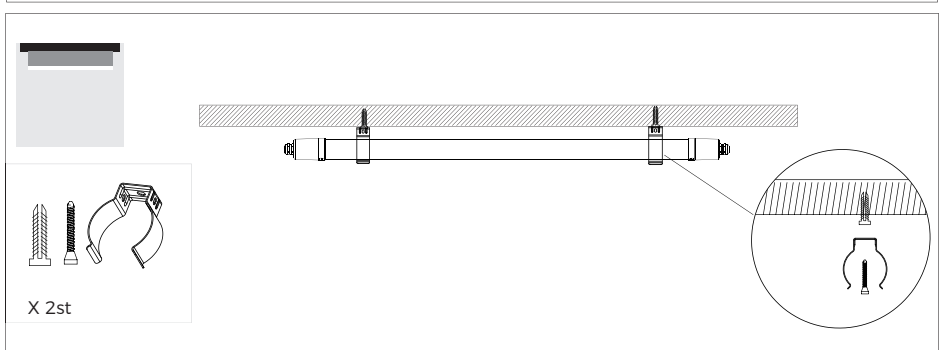
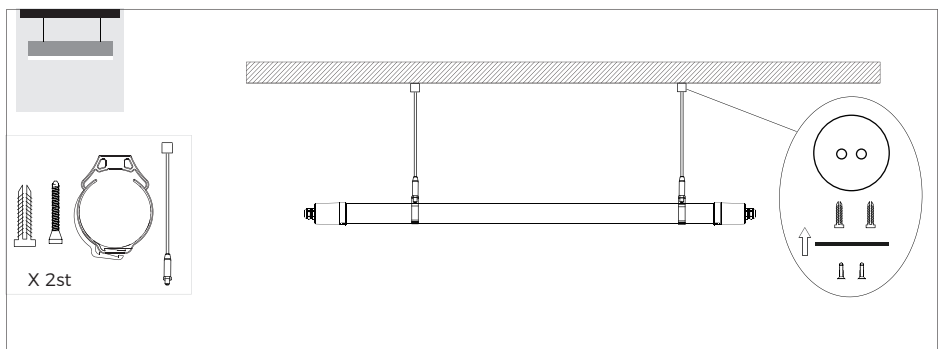
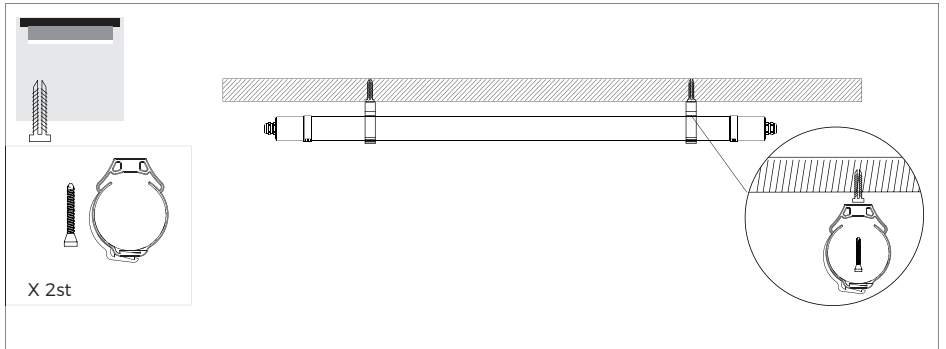
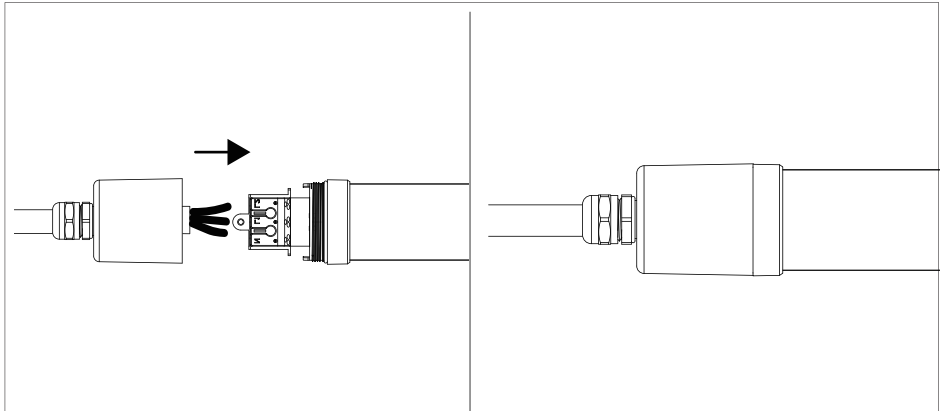


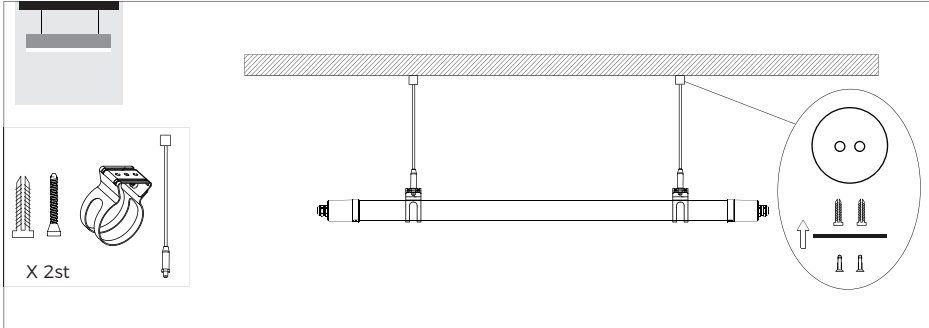
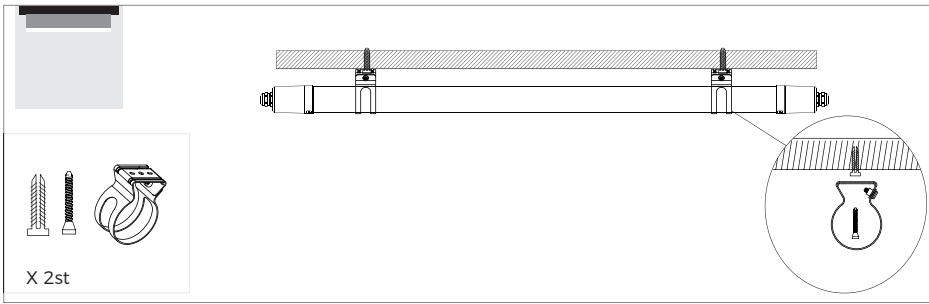
③



④

Power adjustable, multi-lumen options



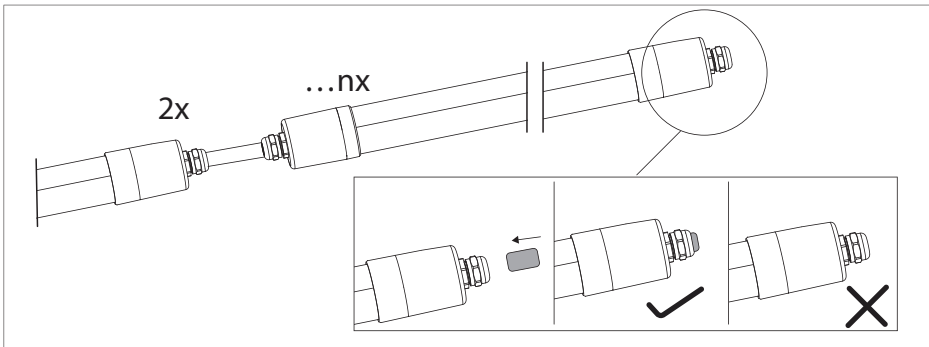


mm	←→
mm ²	←→
1-2.5	12

3 wires

5 wires

DALI



SIZE	INPUT	NX	NX
600mm	230vac	50(15W)	37(20W)
1200mm	230vac	34(22W)	25(30W)
1500mm	230vac	25(30W)	18(40W)

